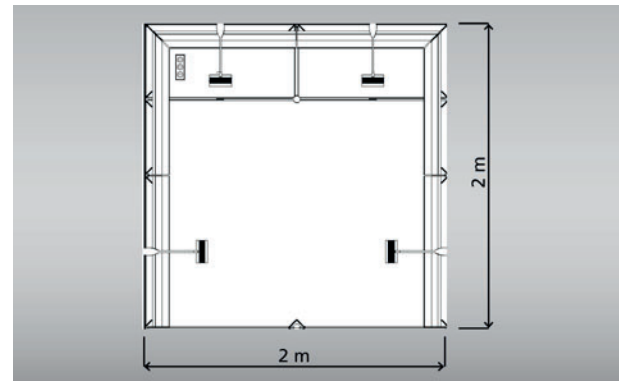
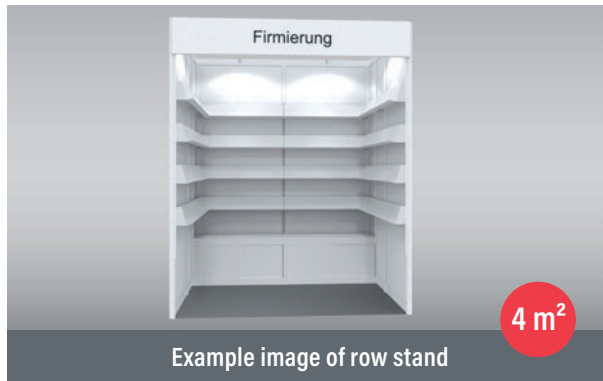




COMPLETE STAND PACKAGES

SMALL STAND CLASSIC S (4 m²)



OUR STAND CONSTRUCTION SERVICES

- | **Partition wall system**, 100x250 cm (WxH), white (other colours available for a fee)
- | **Fascia**, 30 cm high, white
- | **1 Logo (max. 40x30 cm) or 1x lettering** (Futura, dark grey), 10 cm high, max. 25 characters
- | **Bookshelves**, white
- | **Counter with sliding doors**, white (Please order door lock separately)
- | **Lighting**, Spotlights
- | **Needle felt floor covering**, anthracite, 3000
- | **Triple socket** (Power connection will be charged separately)

ADDITIONAL SERVICES

Based on the size of your stand, you will receive a number of free exhibitor passes (2) and can register your event for the Leipzig liest reading festival (1 event in accordance with the exhibition space key). You can find more information in the Special Conditions of Participation or on pages 24 and 27 onwards.

CALCULATION EXAMPLE FOR A 4 M² EXHIBITION STAND

	REGISTRATION BY 10 SEPTEMBER 2023 (EARLY BIRD)	REGISTRATION FROM 11 SEPTEMBER 2023
Trade fair rental incl. stand construction (4 m ²)	€760	€844
AUMA fee	€2.40	€2.40
Electrical connection	€178	€178
Communication flat rate (i.e. mandatory entry in the exhibitor directory)	€93	€93
Free exhibitor passes (for the main exhibitor based on the stand size + one pass for each co-exhibitor)	2 passes	2 passes
Co-exhibitor fee, where applicable		
Fee for additionally represented companies, where applicable		
Leipzig liest fee 1, where applicable		
TOTAL PRICE	€1,033.40	€1,117.40

All prices plus VAT.