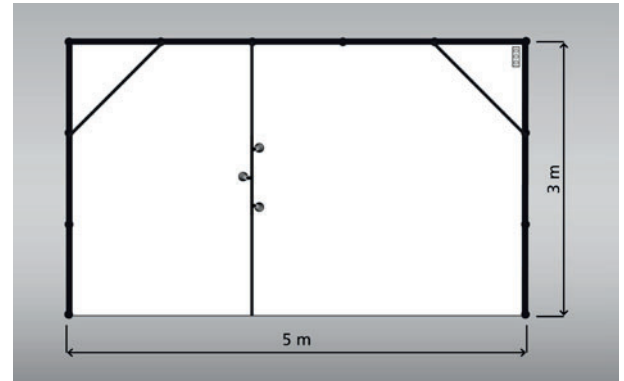
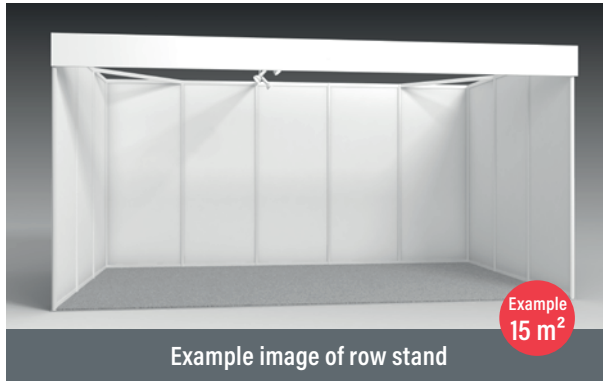




# COMPLETE STAND PACKAGES

## COMPLETE STAND VERSION A (from 8 m<sup>2</sup>)



### OUR STAND CONSTRUCTION SERVICES

- | **Partition wall system**, 100x250 cm (WxH), white (other colours available for a fee)
- | **Fascia**, 30 cm high, white
- | **Lighting**, 3 Spotlights
- | **Needle felt floor covering**, anthracite, 3000
- | **Triple socket** (Power connection will be charged separately)

### ADDITIONAL SERVICES

Depending on the registered size of your stand, you will receive a number of free exhibitor passes and can register events for the Leipzig liest reading festival. You can find more information in the Special Conditions of Participation or on pages 24 and 27 onwards.

### CALCULATION EXAMPLE FOR A 15 M<sup>2</sup> EXHIBITION STAND

	REGISTRATION BY 10 SEPTEMBER 2023 (EARLY BIRD)	REGISTRATION FROM 11 SEPTEMBER 2023
Trade fair rental incl. stand construction (15 m <sup>2</sup> )	€5,490	€6,090
AUMA fee	€9	€9
Electrical connection	€233	€233
Communication flat rate (i.e. mandatory entry in the exhibitor directory)	€203	€203
Free exhibitor passes (for the main exhibitor based on the stand size + one pass for each co-exhibitor)	4 passes	4 passes
Co-exhibitor fee, where applicable		
Fee for additionally represented companies, where applicable		
Leipzig liest fee 1, where applicable		
<b>TOTAL PRICE</b>	<b>€5,935</b>	<b>€6,535</b>

All prices plus VAT.